



# Clip-In Metal Ceiling System



[www.trec.it](http://www.trec.it)

Member of CISQ Federation



CERTIFIED MANAGEMENT SYSTEM  
ISO 9001



# CLIP-IN METAL CEILING SYSTEM



**Modular metal suspended ceiling system with CLIP-IN hidden structure.**

The CLIP-IN false ceiling system is made up of metal panels supported by a modular structure designed for use in clean rooms and hospitals.

The system guarantees excellent flatness of the surfaces, maximum flexibility of use and durability of the product over time.

**Main Advantages:**

- Impermeability to the passage of dust;
- Simplicity of cleaning;
- Flexibility and ease of assembly;
- Inspection of the above technical compartment in case of maintenance;
- Ability to perform any drilling during production for the passage of cables, systems or for the installation of ceiling devices;
- Can be integrated with lamps, filters or diffusers.

## CLIP-IN SYSTEM

### Technical Features

Panels Material	Galvanized steel Aluminum
Finishes	RAL Pre-painted RAL Powder coated PVC Coated
Structure material	Galvanized steel
Standard sizes	600x600 mm 1200x600 mm
Special executions	Min 500x150 mm Max width 1500 mm Max length 3000 mm
Ceiling cavity	> 100 mm
Fire reaction EN 13501-1:2009	Painted steel: A1 PVC coated steel: B s3, d0
Panel versions	45° beveled edges Standard 90° edges
Mounting accessories	The system is equipped with a complete range of accessories for the suspension
Options	Sealing gasket Protective film



## MODULAR STRUCTURE

The modular structure of the system allows to assemble the false ceiling in a simple and fast way, with few components normally available in stock.



## SPECIAL EXECUTIONS

It is possible to make any customization, in terms of materials, processing and construction features on standard products.

Thanks to a flexible production system, we can supply small batches for each variant or size.



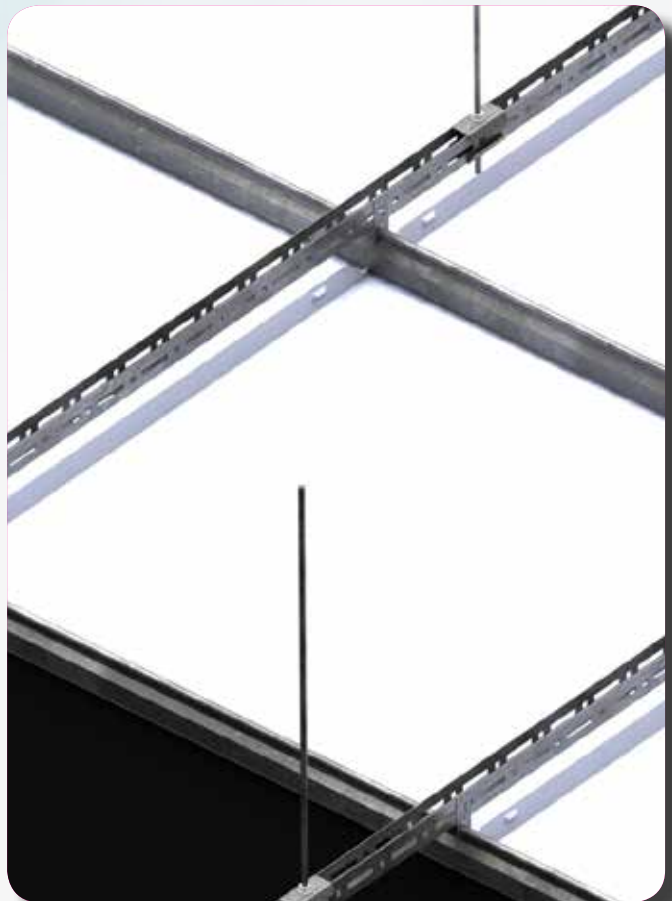
## PRODUCT TRACEABILITY

The product packaging shows the data of the production batch and all the characteristics of the false ceiling.

This allows you to easily identify the components during the assembly phase of the system.

## MAIN ADVANTAGES

- Prompt delivery for standard products
- Possibility of use in the most varied combinations and situations
- Quick and easy installation of the panels from below which allows for maximum space for the cavity
- Possibility of removing the single panel from the structure for an easier inspection
- Support and advice from the design phase to production













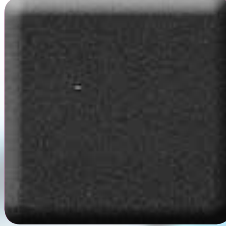




# COLORS COLLECTION

Clip-in ceiling system panels are available in three material categories:

Pre-painted, post-powder-coated and pre-plasticized sheet.

The standard color table is shown below. Other colors can be made on customer request or on specific sample.

	<b>PREPAINTED STEEL</b>		<b>POWDER COATED STEEL</b>		
	▶ <b>RAL 9001</b>	▶ <b>RAL 9003</b>	▶ <b>RAL 9010</b>	▶ <b>RAL 9005</b>	▶ <b>RAL 9006</b>
					
	<b>PVC COATED STEEL</b>				
	▶ <b>WHITE</b>	▶ <b>LIGHT GREY</b>	▶ <b>MEDIUM GREY</b>	▶ <b>DARK GREY</b>	▶ <b>SILVER</b>
					
	<b>ANTI MICROBIAL</b>				
					

# ANTIMICROBIAL SHEET METAL



The antimicrobial sheet offers effective and certified protection (ISO 22196: 2011 standard) against a vast panorama of microorganisms:

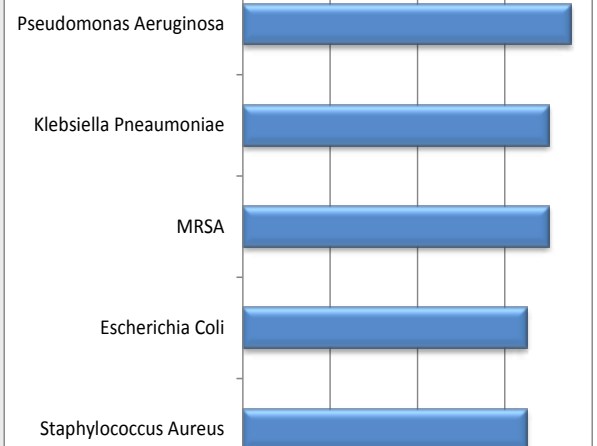
- Escherichia Coli;
- Staphylococcus Aureus;
- Staphylococcus Aureus Methicillin Resistant (MRSA);
- Klebsiella Pneumoniae;
- Salmonella Typhi;
- Enterococcus Faecalis;
- Pseudomonas Aeruginosa;
- Legionella Pneumophila.

The antimicrobial sheet maintains its properties unaltered over time and does not require maintenance.

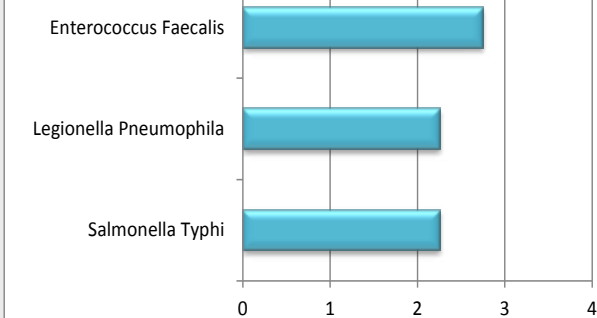
Logarithmic reduction	% Effectiveness	Result
>3	Beyond 99.9%	Excellent reduction of bacterial growth. Very effective antibacterial result
2<n<3	From 99.0% to 99.9%	Good reduction of bacterial growth. Significant antibacterial effect

## LOGARITHMIC REDUCTION OF THE NUMBER OF MICROORGANISMS

### EFFECTIVENESS ≥ 99,9%

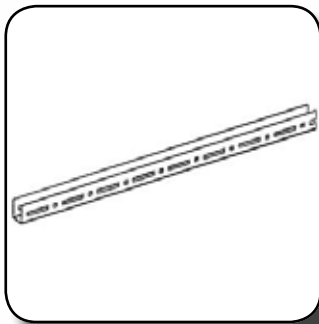


### EFFECTIVENESS ≥ 99,0%





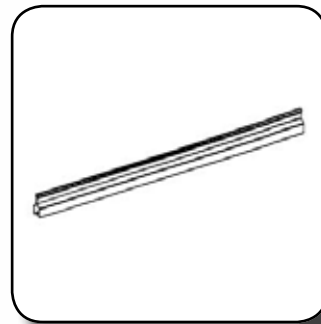
## ▶ "U" PROFILE 30/60 SLOTS



<b>Item</b>	W/PU100
<b>Length</b>	4 meter bars
<b>Material</b>	Galvanized steel

This profile is used to create the primary structure of the false ceiling.

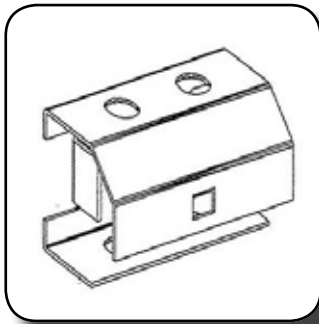
## ▶ CLIP-IN PROFILE



<b>Item</b>	W/PS100
<b>Length</b>	4 meter bars
<b>Material</b>	Galvanized steel

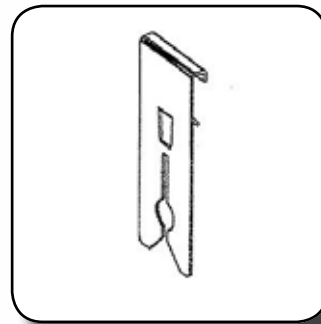
This profile constitutes the secondary structure of the false ceiling, to which the sheet metal panels are attached.

## ▶ "U" PROFILE SUSPENSION



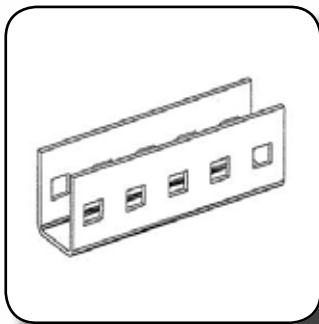
<b>Item</b>	W/MORS100
<b>Material</b>	Steel

## ▶ CLIP-IN PROFILE SUSPENSION



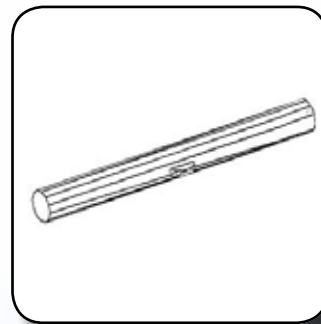
<b>Item</b>	W/SOPS100
<b>Material</b>	Steel

## ▶ "U" PROFILE JOINT



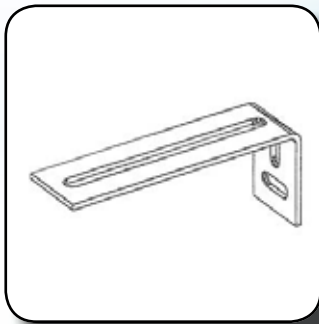
<b>Item</b>	W/SGPU100
<b>Material</b>	Steel

## ▶ CLIP-IN PROFILE JOINT



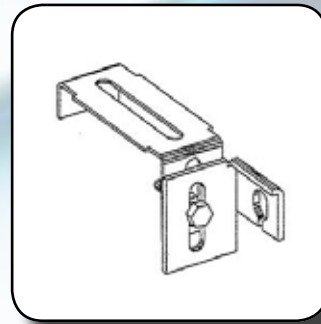
<b>Item</b>	W/SGPS100
<b>Material</b>	Steel

## ▶ WALL BRACKET



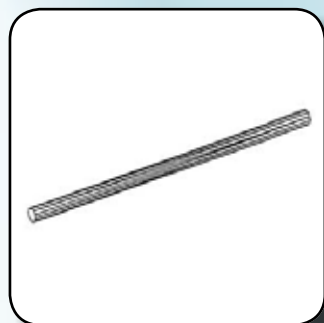
<b>Item</b>	W/SM100
<b>Material</b>	Steel

## ▶ CLIP-IN PROFILE QUICK BRACKET



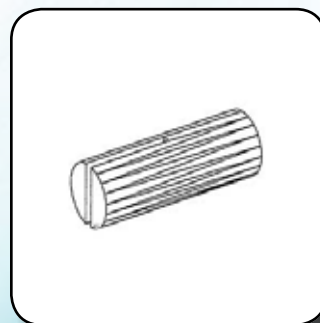
<b>Item</b>	W/SRPS100
<b>Material</b>	Steel

## ▶ THREADED BAR M6



<b>Item</b>	W/BF100
<b>Length</b>	1000 mm
<b>Material</b>	Steel

## ▶ M6 PLUG



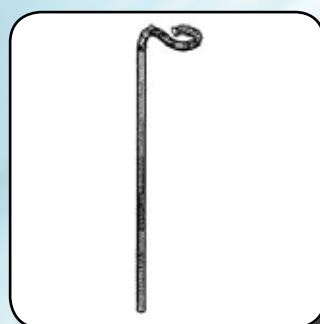
<b>Item</b>	W/TS100
<b>Material</b>	Brass

## ▶ M6 BRACKET



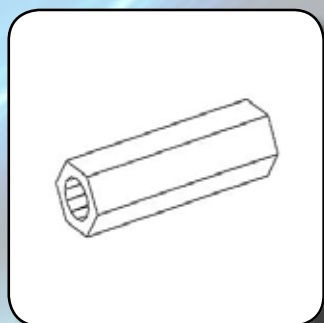
<b>Item</b>	W/SB100
<b>Material</b>	Steel

## ▶ SUSPENSION



<b>Item</b>	W/PEND100
<b>Material</b>	Steel

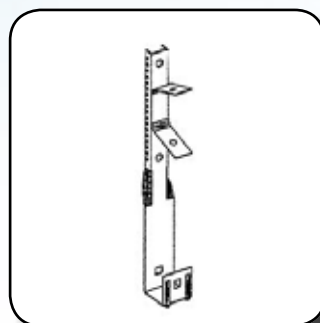
## ▶ M6 NIPPLE



<b>Item</b>	W/NU100
<b>Material</b>	Brass

M6 union nipple for threaded rod

## ▶ "U" PROFILE ADJUSTABLE BRACKET



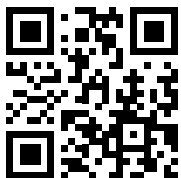
<b>Item</b>	W/SNU100
<b>Material</b>	Steel

Allows micro-metric adjustment of the height of the false ceiling

## ▶ ADJUSTABLE BRACKET



<b>Item</b>	W/SNL100
<b>Material</b>	Steel



## Registered Office

Via Volta, 2  
22036 Erba (CO)  
ITALY

## Offices and factory

Via Piani dei Resinelli, 9  
22036 Erba (CO)  
ITALY

Phone +39 031-641717  
vendite@trec.it

For more information:  
[www.trec.it](http://www.trec.it)

© 2020 TRE C

Product information is based on the current state of our knowledge. Published specifications are subject to change without notice.

The suitability of the product for a specific application must be determined by the customer.

The color references shown are for illustrative purposes and may not correspond to the final effect.

The publication of these data, even partial, without the written permission of TRE C is prohibited.

For any specific request, do not hesitate to contact our sales department.



CERTIFIED MANAGEMENT SYSTEM  
ISO 9001

CERTIFICATE No. 36496/18/S

**Clip-In  
Metal Ceiling  
System**