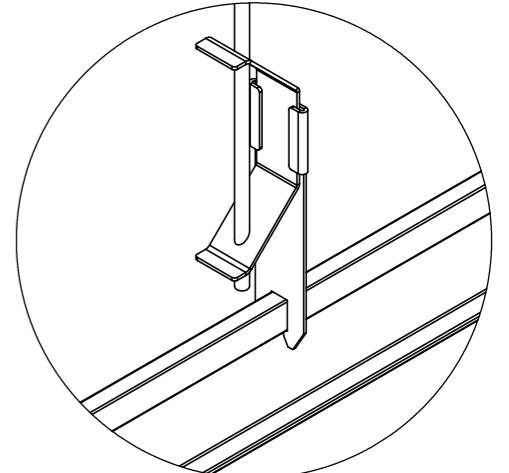
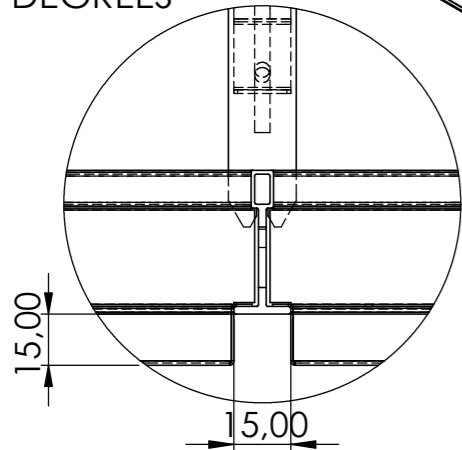


PANEL SIZE: 585x585
MODULE: 600x600

T15 DROP 15
90 DEGREES



#	ITEM	DESCRIPTION	QTY.
1	T15_MAINRUNNER_3600	T15 SYSTEM MAIN RUNNER	3
2	T15_SECTIONRUNNER_1200	T15 SYSTEM SECTION RUNNER 1200mm	14
3	T15_SECTIONRUNNER_600	T15 SYSTEM SECTION RUNNER 600mm	12
4	W_T15_SOSP-DIR_MOLL	SPRING SUSPENSION T24 PROFILE WIRE HANGER	9
5	W_PEND_300_SUP_HOOK	METALLIC WIRE HANGER 4mm L=300	9
6	NAIL_ANCHOR_M6X35_EYE	NAIL ANCHOR M6X35 WITH EYE	9
7	ST15_R15_A90_06000600	T15 SYSTEM PANEL R15 - 90 DEGREES 600X600MM	24

Material:		Part number: ST15_R15_A90_06000600_AS	
Finish:		Description: T15 SYSTEM DROP 15mm 90 DEGREES 600x600	
Unless Otherwise Stated: Linear Tol.: ± 0.2 , Angular Tol.: $0^{\circ}15'$ Surface Finish: $0.8\mu m$ All Dimensions: mm Drawing Scale: 1:50		This drawing and any information or descriptive material set out on it are the confidential and copyright property of TRE C and MUST NOT BE DISCLOSED, COPIED, LOANED in whole or part or used for any purpose without our written permission. Drawn by: sergio.avaro Checked/Approved by: alessio.maggi Drawing number:	
Approx Weight: Kg Projection Method: FIRST ANGLE 	Drawing Produced In Accordance With: ISO 128 Sheet Size: A3	Company Confidential false ceiling systems insulating panels soundproofing cabins Via Piani dei Resinelli, 9 22036 Erba(CO) ITALY www.trec.it - info@trec.it	Drawn Date: 25/06/2024 Approved Date: 25/06/2024 Sheet: 1 of 1 Revision: