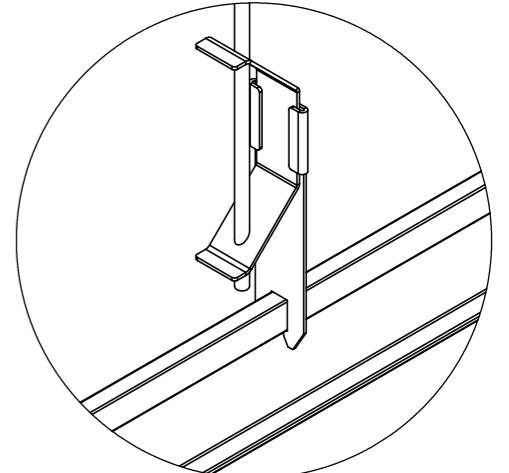
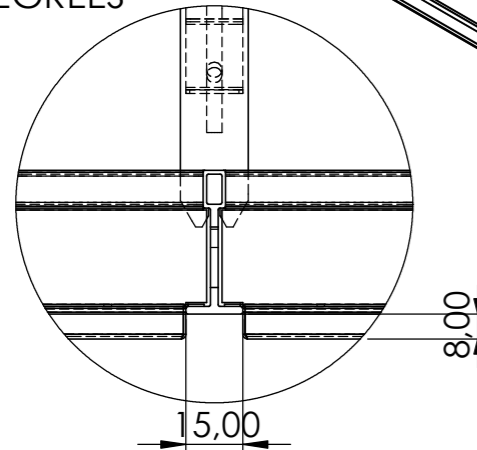


PANEL SIZE: 585x585  
MODULE: 600x600

T15 DROP 8  
90 DEGREES



#	ITEM	DESCRIPTION	QTY.
1	T15_MAINRUNNER_3600	T15 SYSTEM MAIN RUNNER	3
2	T15_SECTIONRUNNER_1200	T15 SYSTEM SECTION RUNNER 1200mm	14
3	T15_SECTIONRUNNER_600	T15 SYSTEM SECTION RUNNER 600mm	12
4	W_T15_SOSP-DIR_MOLL	SPRING SUSPENSION T24 PROFILE WIRE HANGER	9
5	W_PEND_300_SUP_HOOK	METALLIC WIRE HANGER 4mm L=300	9
6	NAIL_ANCHOR_M6X35_EYE	NAIL ANCHOR M6X35 WITH EYE	9
7	ST15_R8_A90_06000600	T15 SYSTEM PANEL R8 - 90 DEGREES 600X600MM	24

Material:		Part number: <b>ST15_R8_A90_06000600_AS</b>	
Finish:		Description: <b>T15 SYSTEM DROP 8mm 90 DEGREES 600x600</b>	
Unless Otherwise Stated: Linear Tol.: ±0.2, Angular Tol.: 0°15' Surface Finish: 0.8µm All Dimensions: mm Drawing Scale: <b>1:50</b>		This drawing and any information or descriptive material set out on it are the confidential and copyright property of TRE C and MUST NOT BE DISCLOSED, COPIED, LOANED in whole or part or used for any purpose without our written permission.	
Approx Weight: Kg		Drawing Produced In Accordance With: <b>ISO 128</b>	
Projection Method: <b>FIRST ANGLE</b>		Sheet Size: <b>A3</b>	
		false ceiling systems insulating panels soundproofing cabins Via Piani dei Resinelli, 9 22036 Erba(CO) ITALY <a href="http://www.trec.it">www.trec.it</a> - <a href="mailto:info@trec.it">info@trec.it</a>	
		Company Confidential	
		Drawn by: <b>sergio.avaro</b>	
		Checked/Approved by: <b>alessio.maggi</b>	
		Drawing number:	
		Drawn Date: <b>25/06/2024</b>	
		Approved Date: <b>25/06/2024</b>	
		0497/24 Sheet: Revision:	
		<b>1 of 1</b>	