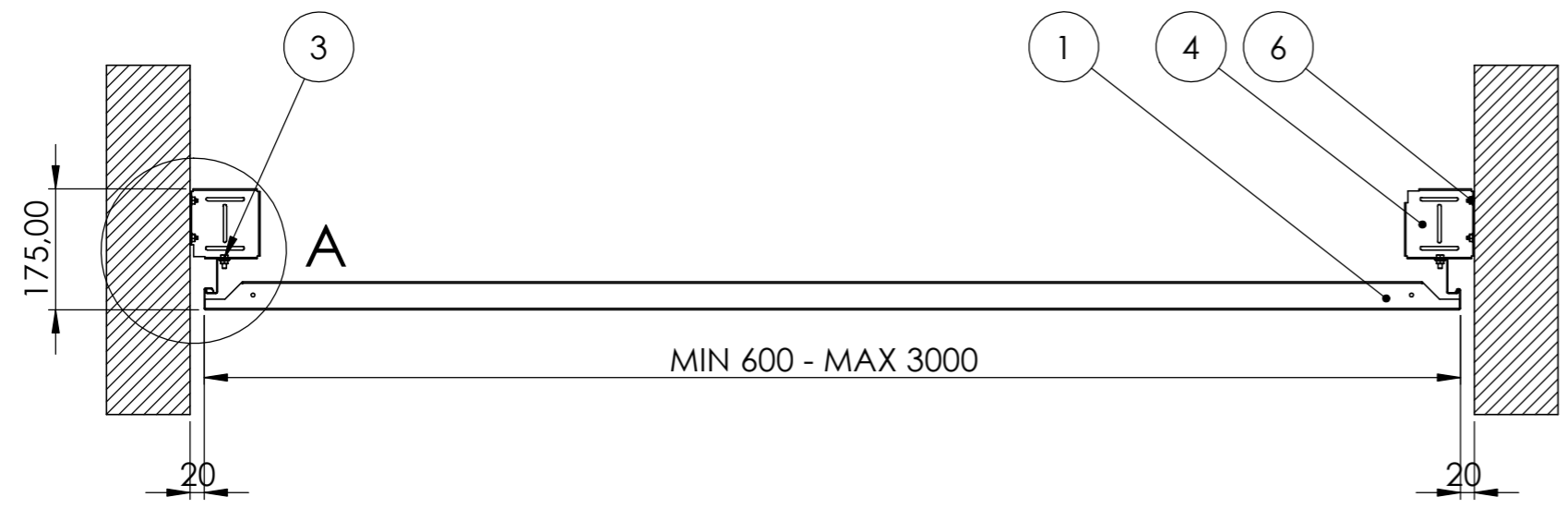
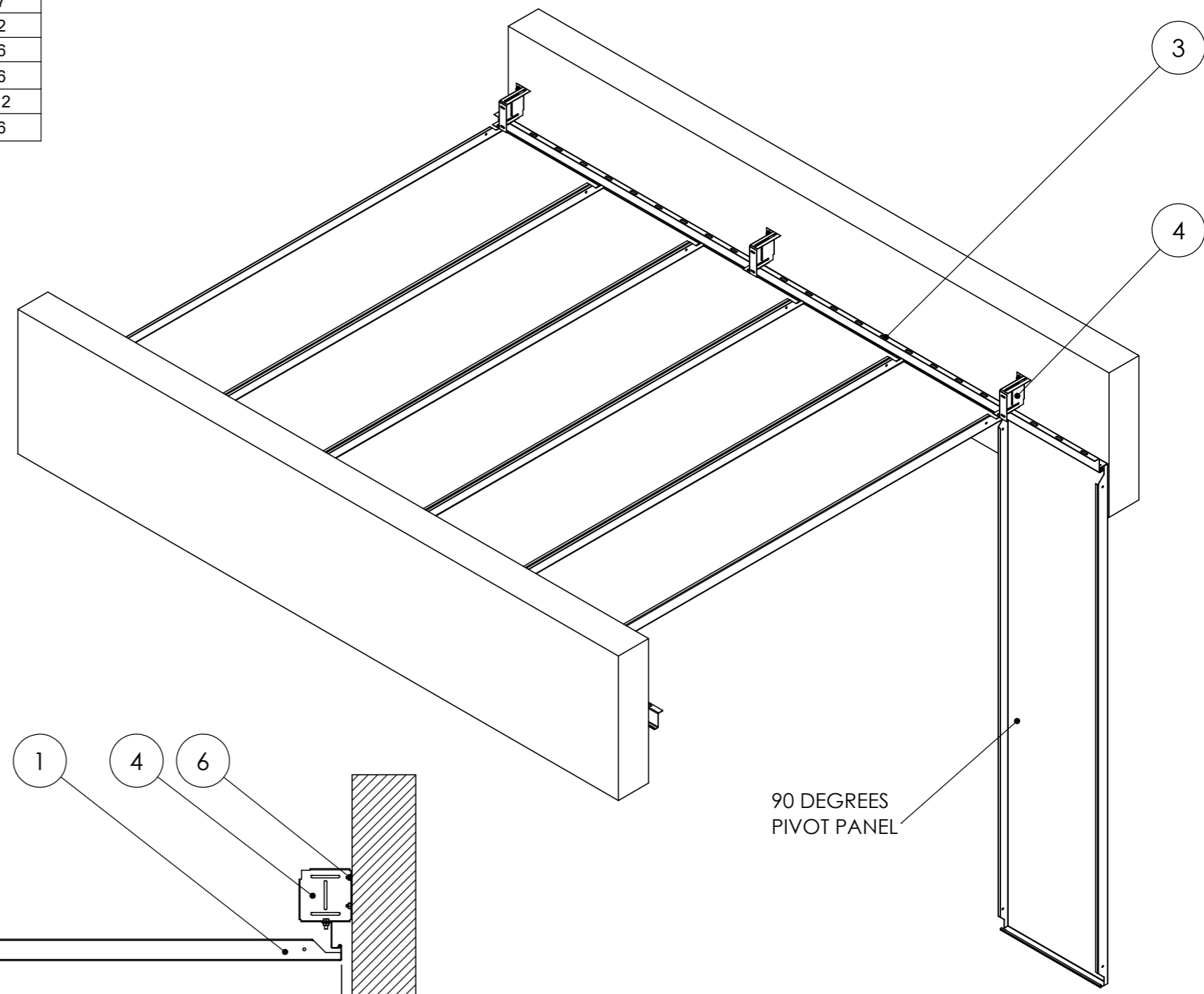
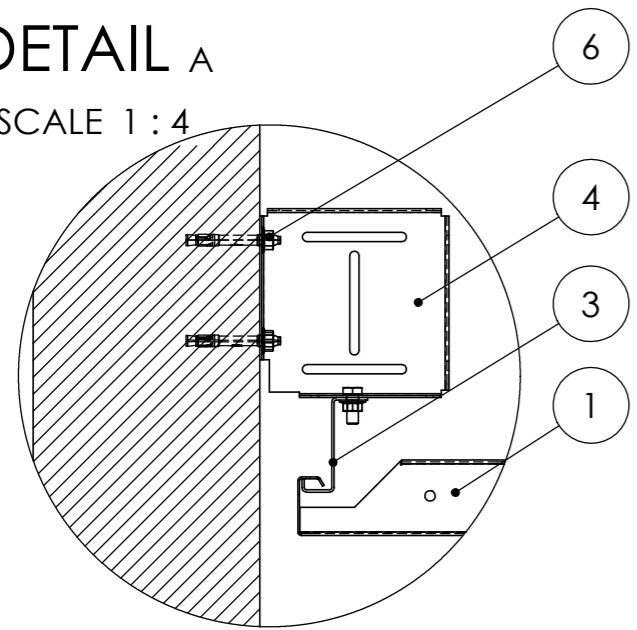


#	ITEM	Description	Qty.
1	W_CORRIDOR_PANEL_400	CORRIDOR SYSTEM PANEL 400mm	7
3	W_SF_AS11_2400_PERF	"J" PROFILE - PERFORATED	2
4	W_CORRIDOR_WALL-BRACKET	"J" PROFILE WALL CONNECTOR	6
5	W_NUT_M6	M6 FLANGED NUT	6
6	W_EXP-BOLT_M6x30	EXPANSION BOLT M6x30	12
7	W_SCREW_M6x15	SCREW M6 x 15	6

DETAIL A
SCALE 1 : 4



90 DEGREES PIVOT PANEL

Material:		Part number: W_CORRIDOR_AIRFLOW_AS	
Finish:		Description: CORRIDOR SYSTEM - AIRFLOW VERSION	
Unless Otherwise Stated: Linear Tol.: ±0.2, Angular Tol.: 0°15' Surface Finish: 0.8µm All Dimensions: mm Drawing Scale: 1:20		Drawing code:	Drawn by: sergio.avaro Checked/Approved by: alessio.maggi
Approx Weight: Kg	Drawing Produced In Accordance With: ISO 128	Drawn Date: 28/02/2024 Approved Date: 28/02/2024	
Projection Method: FIRST ANGLE	Sheet Size: A3	<p>Company Confidential</p> <p>false ceiling systems insulating panels soundproofing cabins Via Piani dei Resinelli, 9 22036 Erba(CO) ITALY www.trec.it - info@trec.it</p> <p>This drawing and any information or descriptive material set out on it are the confidential and copyright property of TRE C and MUST NOT BE DISCLOSED, COPIED, LOANED in whole or part or used for any purpose without our written permission.</p>	
		Sheet: 1 of 1	Revision: B