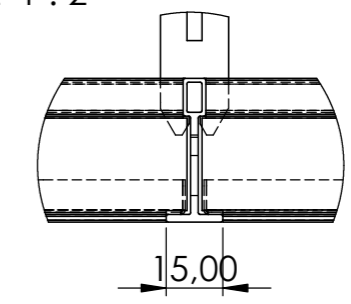
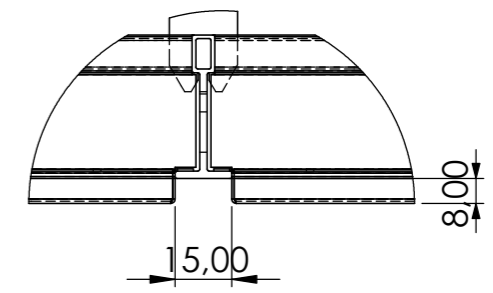


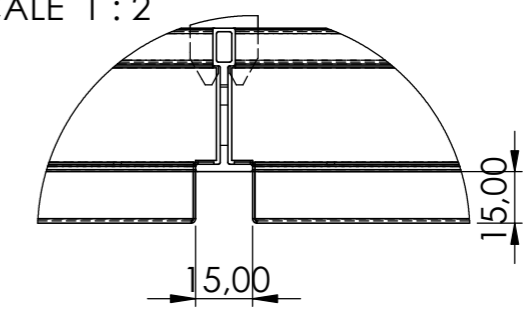
**DETAIL A**  
SCALE 1 : 2




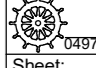
**DETAIL B**  
SCALE 1 : 2



**DETAIL C**  
SCALE 1 : 2



| STANDARD PACKAGING T15 SYSTEM |                             |                            |
|-------------------------------|-----------------------------|----------------------------|
| MODEL                         | PCS (m <sup>2</sup> ) / BOX | PCS (m <sup>2</sup> ) EPAL |
| T15 COPLANAR                  | 16 (5,76)                   | 256 (92,16)                |
| T15 R8                        | 16 (5,76)                   | 256 (92,16)                |
| T15 15                        | 16 (5,76)                   | 256 (92,16)                |

|   |   |  |   |
|---|---|--|---|
| Material:   |   | Part number:<br><b>TREC_ST15_SYSTEM</b>  |   |
| Finish:   |   | Description:<br><b>T15 SYSTEM</b>  |   |
| Unless Otherwise Stated:<br>Linear Tol.: ±0.2, Angular Tol.: 0°15'<br>Surface Finish: 0.8µm<br>All Dimensions: mm<br>Drawing Scale: <b>1:50</b> |   | This drawing and any information or descriptive material set out on it are the confidential and copyright property of TREC C and MUST NOT BE DISCLOSED, COPIED, LOANED in whole or part or used for any purpose without our written permission.                  | Drawn by:<br><b>sergio.avaro</b><br>Checked/Approved by:<br><b>alessio.maggi</b><br>Drawing number:                                   |
| Approx Weight:<br>Kg  | Drawing Produced In Accordance With: <b>ISO 128</b> | <b>Company Confidential</b>  | Drawn Date:<br><b>25/06/2024</b><br>Approved Date:<br><b>25/06/2024</b>   |
| Projection Method:<br><b>FIRST ANGLE</b>  | Sheet Size:<br><b>A3</b>                            | <br><b>TREC C</b><br>false ceiling systems<br>insulating panels<br>soundproofing cabins<br>Via Piani dei Resinelli, 9<br>22036 Erba(CO) ITALY<br>www.trec.it - info@trec.it | <br>0497/24<br>Sheet: <b>1 of 1</b><br>Revision: |