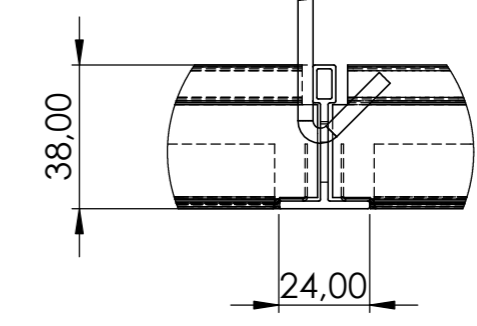


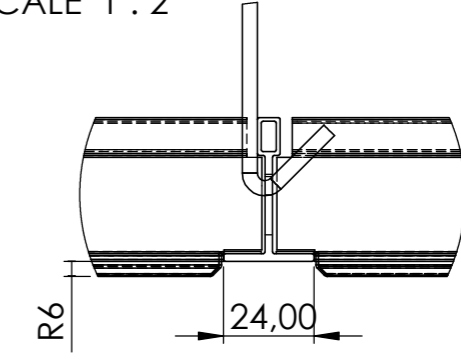
### DETAIL A

SCALE 1 : 2



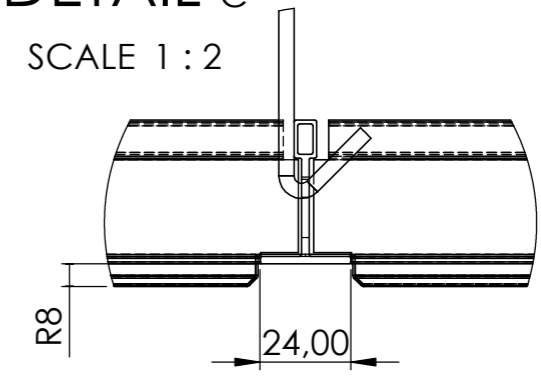
### DETAIL B

SCALE 1 : 2



### DETAIL C

SCALE 1 : 2



#### STANDARD PACKAGING T24 SYSTEM

MODEL	PCS (m <sup>2</sup> ) / BOX	PCS (m <sup>2</sup> ) EPAL
T24 COPLANAR	16 (5,76)	256 (92,16)
T24 R6	16 (5,76)	256 (92,16)
T24 R8	16 (5,76)	256 (92,16)

Material:		Part number: <b>ST24_AS</b>	
Finish:		Description: <b>T24 SYSTEM 600x600</b>	
Unless Otherwise Stated: Linear Tol.: ±0.2, Angular Tol.: 0°15' Surface Finish: 0.8µm All Dimensions: mm Drawing Scale: 1:50		This drawing and any information or descriptive material set out on it are the confidential and copyright property of TRE C and MUST NOT BE DISCLOSED, COPIED, LOANED in whole or part or used for any purpose without our written permission.	
Approx Weight: Kg		Drawing Produced In Accordance With: ISO 128	
Projection Method: <b>FIRST ANGLE</b>		Sheet Size: <b>A3</b>	
		false ceiling systems insulating panels soundproofing cabins Via Piani dei Resinelli, 9 22036 Erba(CO) ITALY www.trec.it - info@trec.it	
		Drawn by: <b>sergio.avaro</b> Checked/Approved by: <b>alessio.maggi</b> Drawing number:	
		Drawn Date: <b>18/04/2023</b> Approved Date: <b>27/02/2024</b> 0497/24 Sheet: 1 of 1 Revision: <b>A</b>	