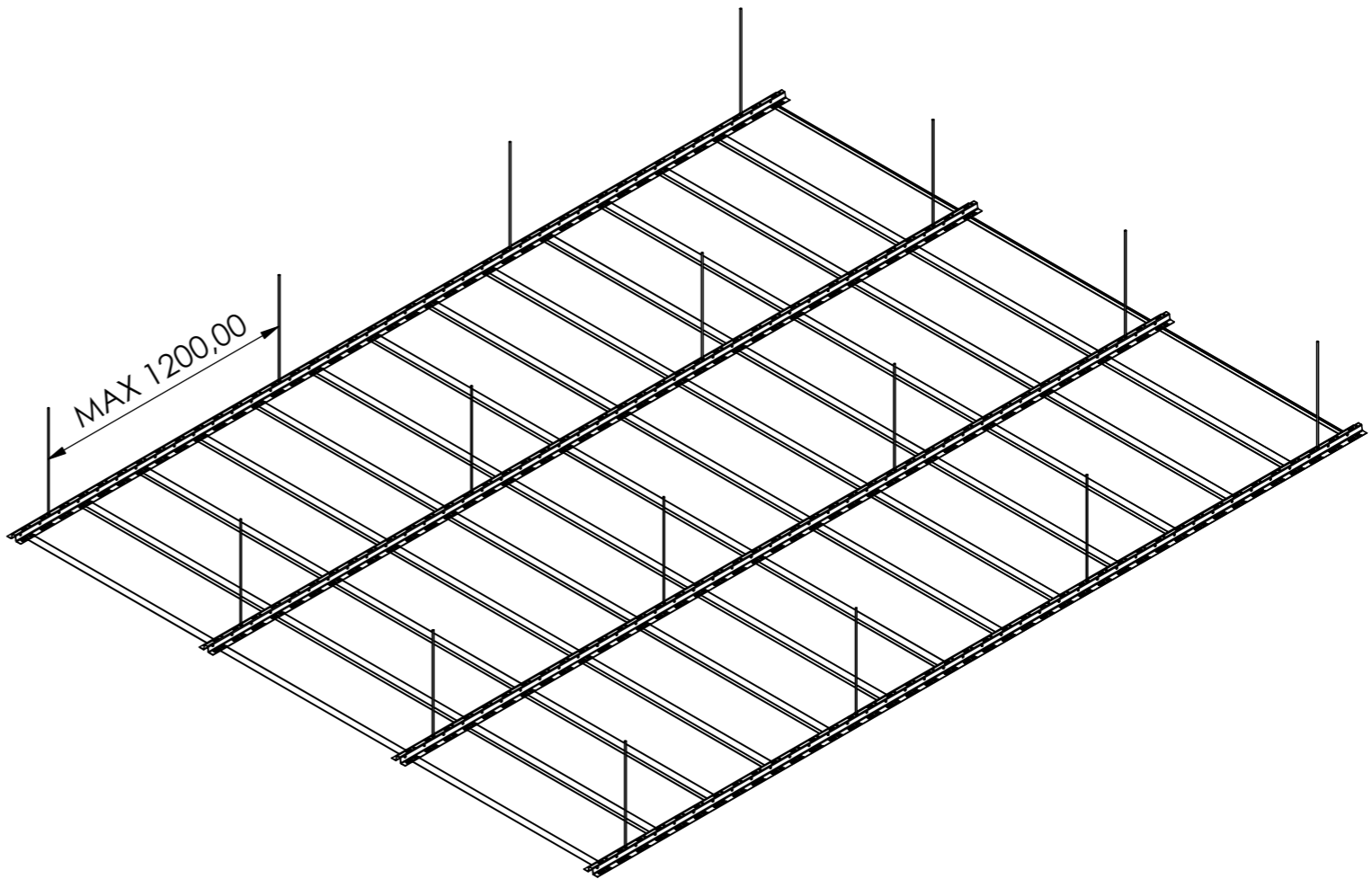
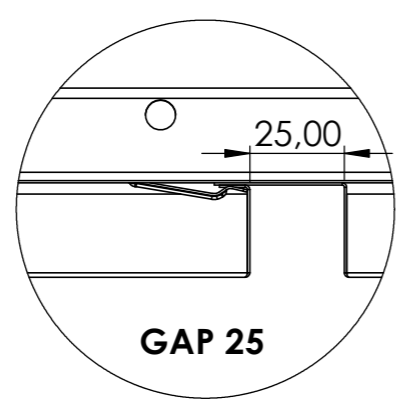
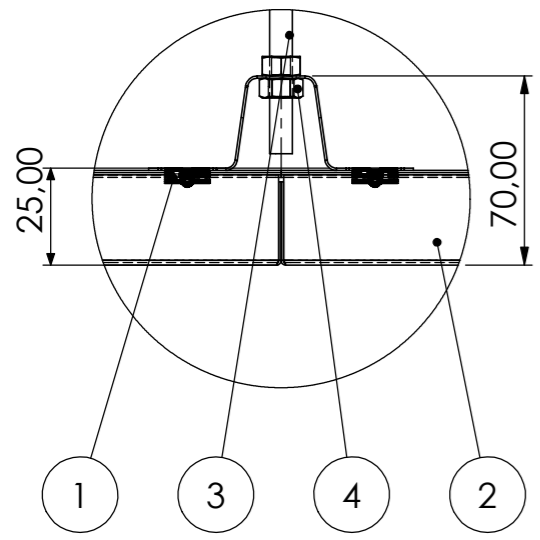


DETAIL A
SCALE 1 : 2

DETAIL B
SCALE 1 : 2



| # | ITEM | Description |
|---|-----------------|---------------------------------|
| 1 | NAV_BL_CARRIER | NAV-BL SYSTEM CARRIER PROFILE |
| 2 | NAV_BL_275 | NAV-BL SYSTEM 275/300 GAP BLADE |
| 3 | BF500 | M8 THREADED ROD |
| 4 | NUT_ISO_4032_M8 | M8 NUT |

| | | | |
|---|--|--|---|
| Material: | | Part number: NAV_BL_275-300_AS | |
| Finish: | | Description: NAV-BL SYSTEM 275/300 GAP | |
| Unless Otherwise Stated: Linear Tol.: ± 0.2 , Angular Tol.: $0^{\circ}15'$ Surface Finish: $0.8\mu\text{m}$ All Dimensions: mm Drawing Scale: 1:50 | | Drawing code: | Drawn by: mario.divalerio Checked/Approved by: alessio.maggi |
| Approx Weight: Kg | | Drawing Produced In Accordance With: ISO 128 | Drawn Date: 25/10/2023 Approved Date: 06/11/2023 |
| Projection Method: FIRST ANGLE | | Sheet Size: A3 | Company Confidential |
| | | TRE C false ceiling systems insulating panels soundproofing cabins Via Piani dei Resinelli, 9 22036 Erba(CO) ITALY www.trec.it - info@trec.it | This drawing and any information or descriptive material set out on it are the confidential and copyright property of TRE C and MUST NOT BE DISCLOSED, COPIED, LOANED in whole or part or used for any purpose without our written permission. |
| | | Sheet: 1 of 1 Revision: A | |