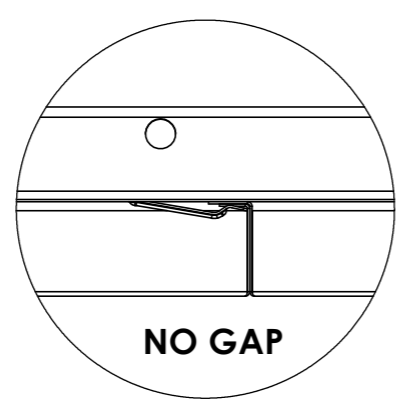
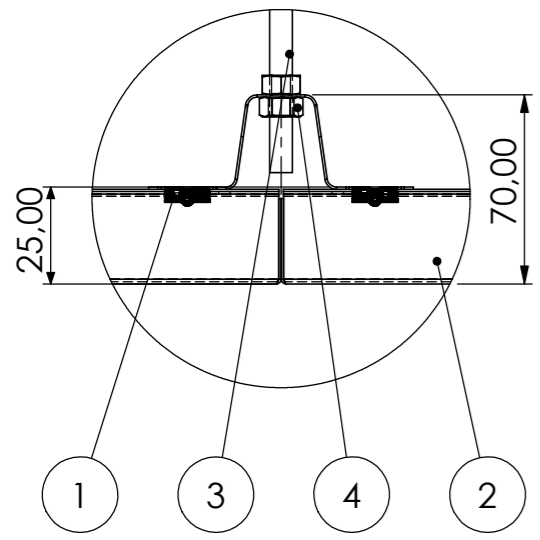


**DETAIL A**  
SCALE 1 : 2

**DETAIL B**  
SCALE 1 : 2



#	ITEM	Description
1	NAV_BL_CARRIER	NAV-BL SYSTEM CARRIER PROFILE
2	NAV_BL_300	NAV-BL SYSTEM 300/300 BLADE
3	BF500	M8 THREADED ROD
4	NUT_ISO_4032_M8	M8 NUT

Material:		Part number: <b>NAV_BL_300-300_AS</b>	
Finish:		Description: <b>NAV-BL SYSTEM 300/300</b>	
Unless Otherwise Stated: Linear Tol.: $\pm 0.2$ , Angular Tol.: $0^{\circ}15'$ Surface Finish: $0.8\mu\text{m}$ All Dimensions: <b>mm</b> Drawing Scale: <b>1:50</b>		Drawing code:	Drawn by: <b>mario.divalerio</b> Checked/Approved by: <b>alessio.maggi</b>
Approx Weight: Kg		Drawing Produced In Accordance With: <b>ISO 128</b>	Drawn Date: <b>25/10/2023</b> Approved Date: <b>06/11/2023</b>
Projection Method: <b>FIRST ANGLE</b>		Sheet Size: <b>A3</b>	Approved Date: <b>06/11/2023</b>
			Company Confidential false ceiling systems insulating panels soundproofing cabins Via Piani dei Resinelli, 9 22036 Erba(CO) ITALY www.trec.it - info@trec.it
		This drawing and any information or descriptive material set out on it are the confidential and copyright property of TRE C and MUST NOT BE DISCLOSED, COPIED, LOANED in whole or part or used for any purpose without our written permission.	
		Sheet: <b>1 of 1</b> Revision: <b>A</b>	